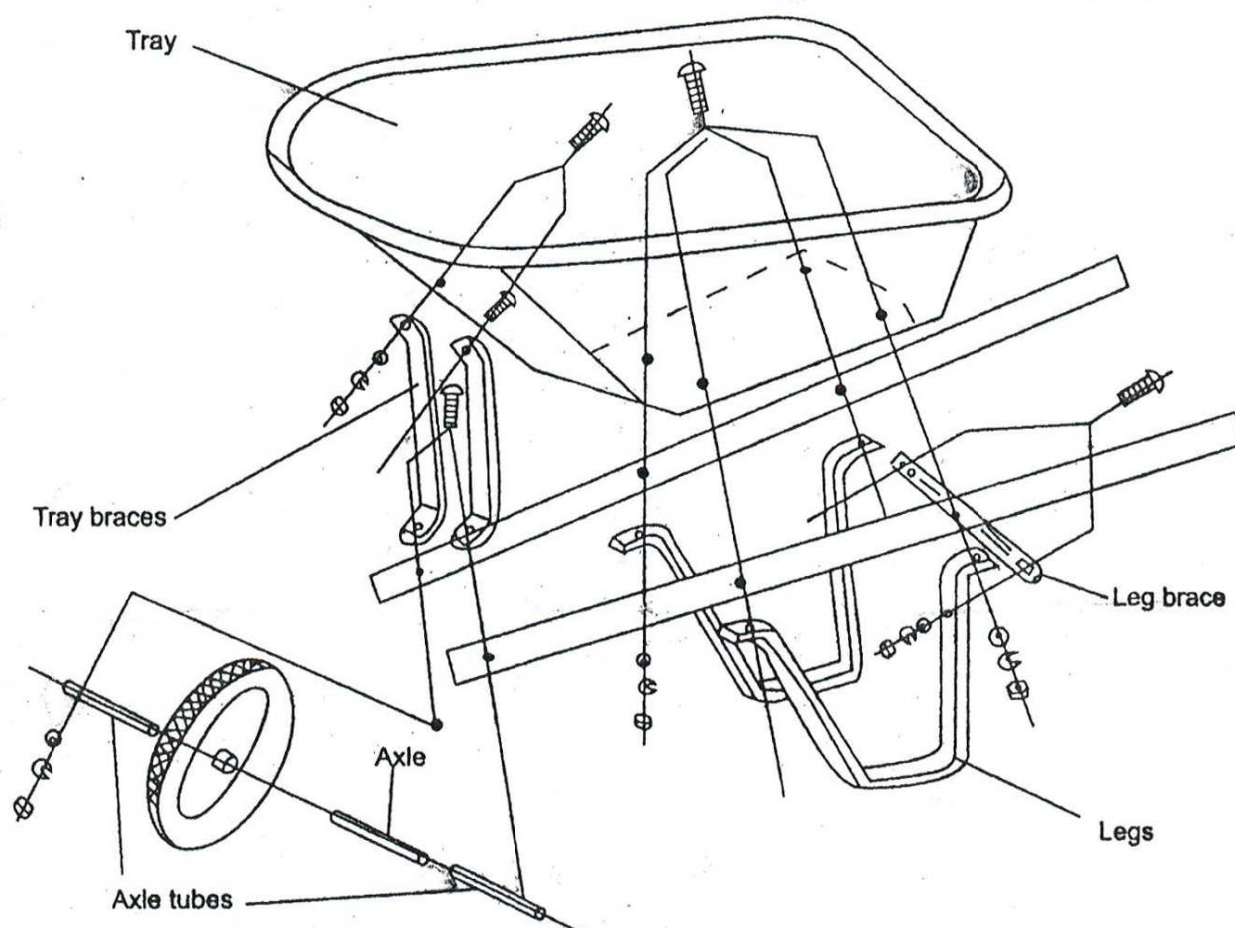


Caution! Adult Assembly Required

ASSEMBLY INSTRUCTIONS WB-JR JUNIOR WHEELBARROW



TOOLS NEEDED: Small adjustable wrench and standard bit screwdriver.

ASSEMBLY

1. Insert four 2" bolts through four holes in bottom of tray. Hint: temporarily tape bolts in place and turn tray upside down for easier assembly.
2. Place handles and then legs on bolts. Put washers, lock washers, and nuts on bolts and tighten finger tight.
3. Loosely bolt leg brace to legs using two 1/2" bolts. Be

sure to use flat washers and lock washers.

4. Loosely bolt tray braces to tray using two 1/2" bolts. Be sure to use flat washers and lock washers.
5. Place axle through wheel hub and put axle tubes on each side of axle.
6. Place flat washers on two 2" bolts. Insert bolts through tray braces, handles, and axle tubes. Put lock washers and nuts on bolts and tighten.
7. Tighten all nuts.

SEYMOUR[®]
QUALITY TOOLS SINCE 1872

Seymour Manufacturing Co., Inc.
P.O. Box 248, Seymour, IN 47274
812-522-2900 Fax 812-522-6109